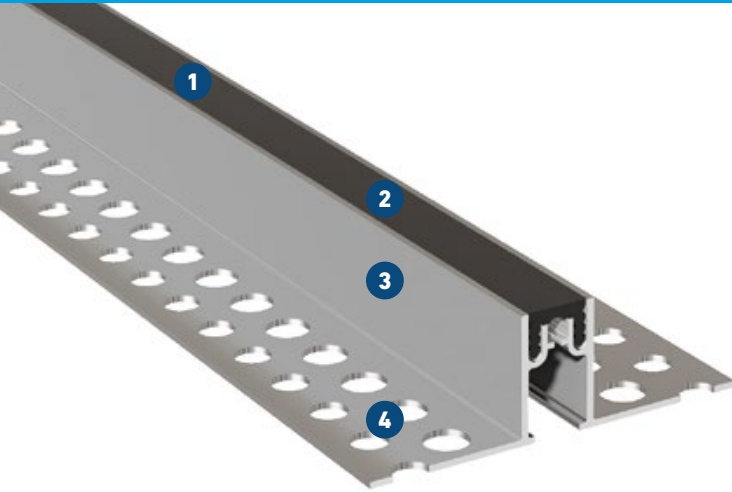


# FLG 21


FOR FLOORS WITH HYGIENIC REQUIREMENTS

# MIGUTEK

JOINT COVERS FOR EXPANSION JOINTS



- 1 Flexible high quality elastomeric insert**  
 Hard wearing, temperature resistant (-30°C to +120°C), replaceable
- 2 Smooth visible surface for easy cleaning**  
 Antibacterial and physiologically safe
- 3 Quick and easy installation**  
 Solid, but light aluminium brackets for quick installation in screed or tiled floorings
- 4 MultiHole mounting bracket**  
 for secure fixing

Expansion joint cover	Joint width $b_f \text{ max}$ [mm]	Total movement $\Delta b_f$ [mm]	Visible width $b_s$ [mm]	Total width $b_t$ [mm]	Joint height $h$ [mm]	Load bearing capacity*  [kN]
FLG 21/20	20	2 ( $\pm 1$ )	21	107	20	30
FLG 21/35	20	2 ( $\pm 1$ )	21	111	35	30
FLG 21/50	20	2 ( $\pm 1$ )	21	111	50	30

\* no continuous use  
 All information on load bearing capacity does only apply to non-floating floors.  
 For installation in asphalt, please ask for our technical advice.

**Standard colours:** black, grey

**Wall connections:** E3, E4

