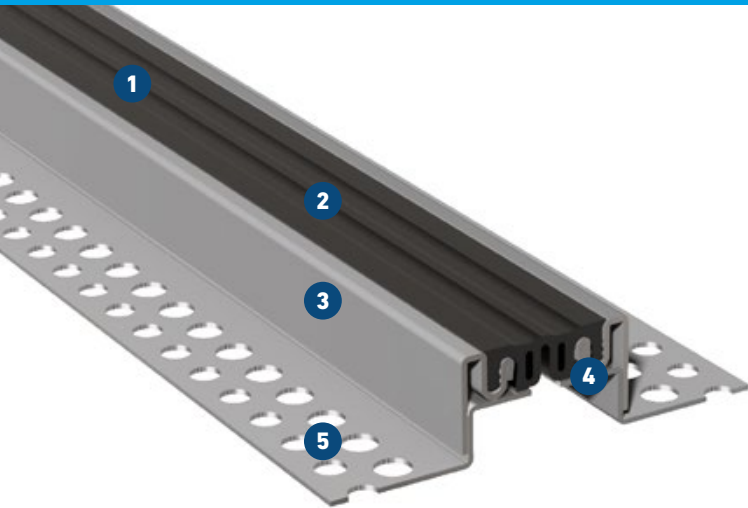


ESG 60

FOR FLOORS WITH HYGIENIC REQUIREMENTS, RESISTANT TO AGGRESSIVE FLUIDS

MIGUTEC

JOINT COVERS FOR EXPANSION JOINTS



- 1 Flexible high quality elastomeric insert**
Hard wearing, temperature resistant (-30°C to +120°C), replaceable
- 2 Smooth visible surface for easy cleaning**
Antibacterial and physiologically safe
- 3 Solid stainless steel brackets**
Resistant to aggressive media (e.g. sea water)
- 4 High load capacity**
suitable for Forklift trucks
- 5 MultiHole mounting bracket**
for secure fixing

Multi directional movement

Expansion joint cover	Joint width $b_f \text{ max}$ [mm]	Total movement Δb_f [mm]	Visible width b_s [mm]	Total width b_t [mm]	Joint height h [mm]	Load bearing capacity [kN]	Load bearing capacity* [kN]	Load bearing capacity [kN]
ESG 60/19	40	8 (±4)	60	160	19	30	90	35
ESG 60/35	50	8 (±4)	60	152	35	30	90	35

* no continuous use

All information on load bearing capacity does only apply to non-floating floors.

Larger installation heights on request.

Expansion joint covers from height 35 mm are supplied with a single-hole row and pre-drilled fixing holes.

Material: 1.4401 (alloy 316)

Production length: 4 m

Standard colour: grey

Wall connections: E3, E4

