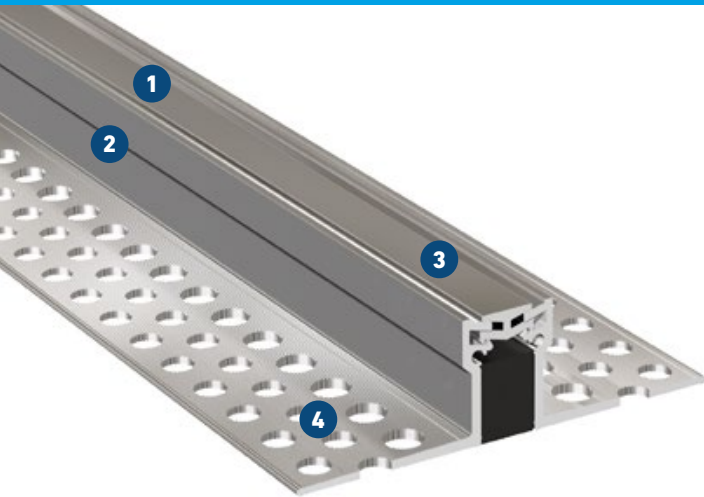


ESF 27 AL

FOR CONTRACTION JOINTS IN FLOORS WITH HIGH LOAD CAPACITY

MIGUTEC

JOINT COVERS FOR EXPANSION JOINTS



- 1 Small visible surface**
Slim design, visible width of cover 27 mm only
- 2 Solid all-metal expansion joint cover**
Hard wearing, maintenance free, long lasting
- 3 High load capacity**
Solid aluminium brackets, suitable for hard plastic tyres
- 4 MultiHole mounting bracket**
for secure fixing

Expansion joint cover	Joint width	Total movement	Visible width	Total width	Joint height total	Load bearing capacity	Load bearing capacity	Load bearing capacity
	$b_f \text{ max}$ [mm]	Δb_f [mm]	b_s [mm]	b_t [mm]	h [mm]	[kN]	[kN]	solid plastic tyres [kg/mm]
ESF 27/25 AL	15	10 (±5)	27	135	25	600	130	8
ESF 27/30 AL	15	10 (±5)	27	135	31	600	130	8
ESF 27/35 AL	15	10 (±5)	27	135	36	600	130	8
ESF 27/40 AL	15	10 (±5)	27	135	40	600	130	8
ESF 27/55 AL	15	10 (±5)	27	135	55	600	130	8

All information on load bearing capacity does only apply to non-floating floors.
Larger installation heights on request.

Production length: 4 m

