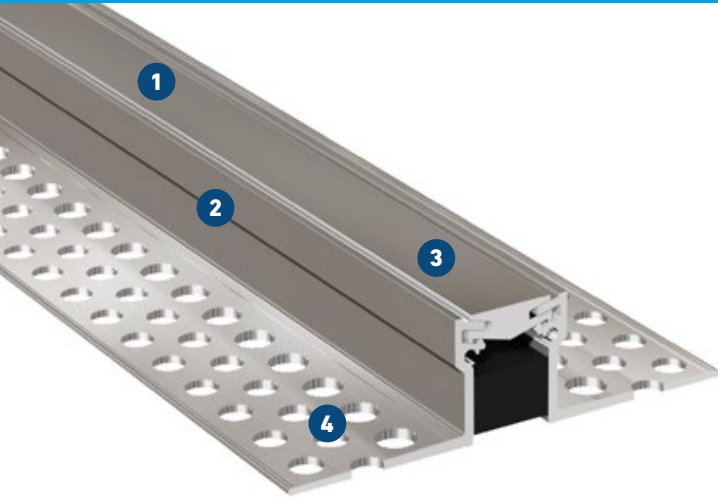


ESF 37 AL

FOR CONTRACTION JOINTS IN FLOORS WITH HIGH LOAD CAPACITY

MIGUTEC

JOINT COVERS FOR EXPANSION JOINTS



- 1 For big contraction joints**
with relative large movement capacity
- 2 Solid all-metal expansion joint cover**
Hard wearing, maintenance free, long lasting
- 3 High load capacity**
Solid aluminium brackets, suitable for hard plastic tyres
- 4 MultiHole mounting bracket**
for secure fixing

Expansion joint cover	Joint width	Total movement	Visible width	Total width	Joint height total	Load bearing capacity	Load bearing capacity	Load bearing capacity
	$b_f \text{ max}$ [mm]	Δb_f [mm]	b_s [mm]	b_t [mm]	h [mm]	[kN]	[kN]	solid plastic tyres [kg/mm]
ESF 37/25 AL	25	10 (± 5)	37	145	25	600	130	8
ESF 37/30 AL	25	10 (± 5)	37	145	31	600	130	8
ESF 37/35 AL	25	10 (± 5)	37	145	36	600	130	8
ESF 37/40 AL	25	10 (± 5)	37	145	40	600	130	8
ESF 37/55 AL	25	10 (± 5)	37	145	55	600	130	8

All information on load bearing capacity does only apply to non-floating floors.
Larger installation heights on request.

Production length: 4 m

