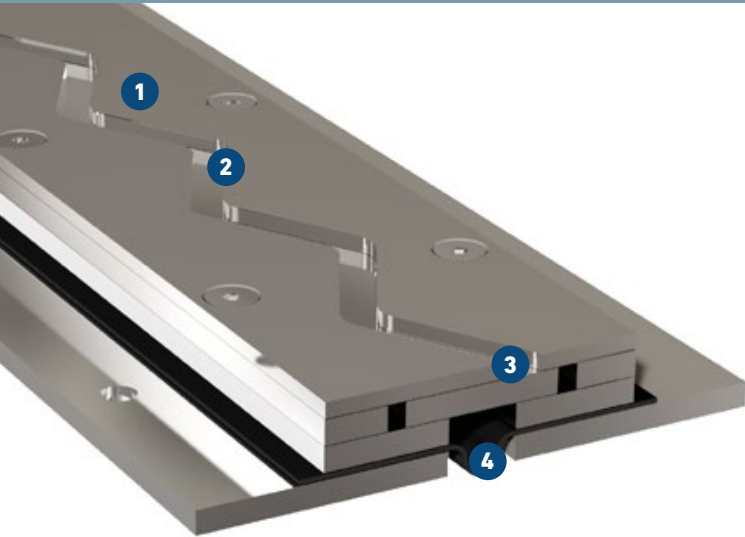


STW 100

WATERTIGHT HEAVY DUTY PROFILE FOR TRANSPORT FREE FROM VIBRATION

MIGUTRANS

HEAVY-DUTY ALL-METAL JOINT SOLUTIONS FOR LARGE TRAFFIC LOADS



- 1 Steel-/Stainless steel-Combination**
for highest load capacity by pallet trucks, fork lift trucks, heavy lorries, special vehicles, etc.
- 2 Transportation free from vibration from a wheel width of 100 mm**
suitable for transport of sensitive goods
- 3 Absorbs horizontal movement (transverse and parallel)**
Not suitable for vertical movement
- 4 Additional sealing layer**
Watertight in connection with connection joint

Expansion joint cover	Joint width max. b_f [mm]	Total movement Δb_f [mm]	Visible width b_s [mm]	Total width b_t [mm]	Joint height h [mm]	Load bearing capacity [kN]	Load bearing capacity [kN]	Load bearing capacity solid plastic tyres [kg/mm]
STW 100/30 ES	35	20 (± 10)	102	182	31	600	150	75
STW 100/50 ES	35	20 (± 10)	102	182	51	600	150	75
STW 100/60 ES	35	20 (± 10)	102	182	61	600	150	75

Production length: 1,96 m

Sealing layer: Wolfin IB

Material - Visible surface: stainless steel 304 or 316Ti **Underlying construction:** black steel, galvanized steel or stainless steel (please specify while ordering).

Larger joint width or movement capacity or special heights on request.

Mounting distance: 300 mm

