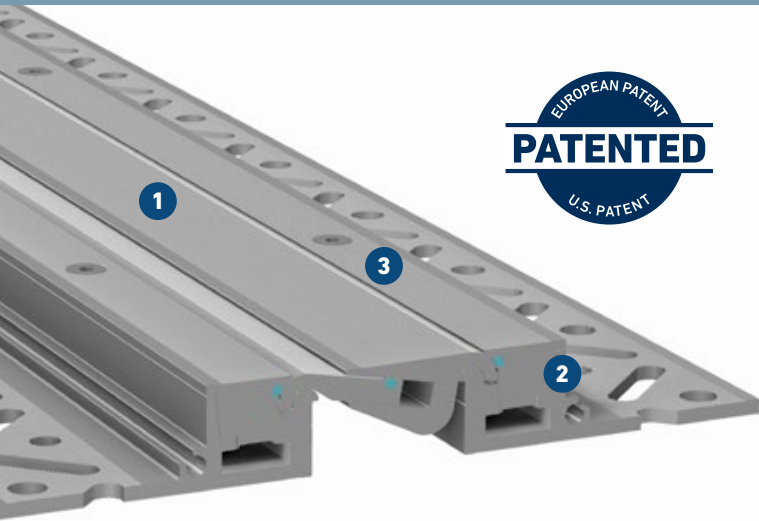


FSRX ... 30

EENVOUDIG VERVANGBARE DILATATIEVOEG PROFIELEN VOOR VLOEREN
MET ZWARE BELASTING

MIGUTRANS

SOLIDE METALEN DILATATIEVOEGSYSTEMEN VOOR LIVE-LADINGEN



- 1** **Zichtbaar oppervlak zonder hiaten**
voorkomt vervuiling
- 2** **Massieve volmetalen-profiel**
slijtvast, onderhoudsvrij, lange levensduur
- 3** **gegroeefd oppervlakte**
zorgt voor een goede slipweerstand

Renovatie-vriendelijke installatie hoogte van slechts 30 mm

Gelede telescopisch systeem
absorbeert beweging in 3 richtingen

Doorboorde poot met MIGUA-bevestigingsmatrix®
Biedt optimale verankeringsalternatieven in de ondergrond

Geanodiseerd beschikbaar!
Dit verbindingprofiel is nu ook verkrijgbaar in geanodiseerde kleur.

Profiel	Voegbreedte max. b_f max. [mm]	Voeg beweging totaal Δb_f [mm]	Zichtbare profielbreedte b_s [mm]	Totale profielbreedte b_t [mm]	Profielhoogte h [mm]	Draagvermogen [kN]	Draagvermogen [kN]	Draagvermogen harde zwenkwielen [kg/mm]
FSRX 111/30	50	20 (± 10)	111	240	30	300	130	10
FSRX 139/30	75	20 (± 10)	139	268	30	300	150	15
FSRX 144/30	75	30 (± 15)	144	273	30	300	130	10
FSRX 168/30	100	40 (± 20)	168	297	30	300	130	10
FSRX 180/30	116	50 (± 25)	180	309	30	30		3,5
FSRX 196/30	130	60 (± 30)	196	325	30	300	100	10

The movement component is easy to install and can be replaced without damage.

Thus, the FSRX joint cover can easily be renewed or replaced, e.g. in case of mechanical damage, wear, if a change of colour is desired or the actual joint movements turn out to be different than expected.

Production length: 4 m

Standard colour: Aluminium, available in anodized version, too

Slip resistance according to DIN 51130 rating group R10 (across the joint), R9 (along the joint).

Wall connections and molded parts available on request.

The joint covers FSRX 139 and FSRX 180 are equipped with symmetrical movement components.

Applicable for anodized expansion joint covers:

By anodizing the surface is hardened, but scratches can not be ruled out under mechanical stress of the profiles.

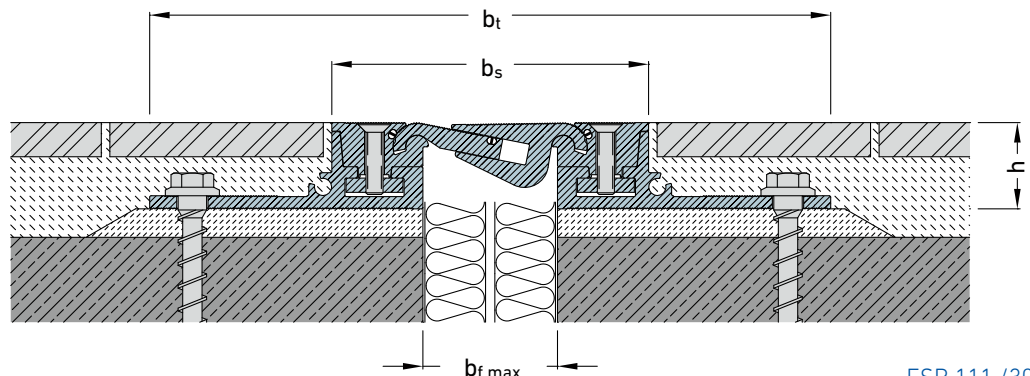
Slight color and / or gloss deviations between different batches or deliveries do not constitute a reason for complaint.

The processing is carried out in accordance with DIN 17611 and the Qualanod (Quality Label for Sulphuric Acid-Based Anodizing of Aluminium) regulations for the anodization of aluminum.

The expansion joint covers must be cleaned and maintained in accordance with the specifications of the Qualanod and the leaflet A5 of the aluminum center. We are happy to advise you.

Standard colors based on EURAS color fans:

- C 0 Nature
 - C 31 Light
 - C 32 Light bronze
- Other colors on request.



FSRX 111 / 30